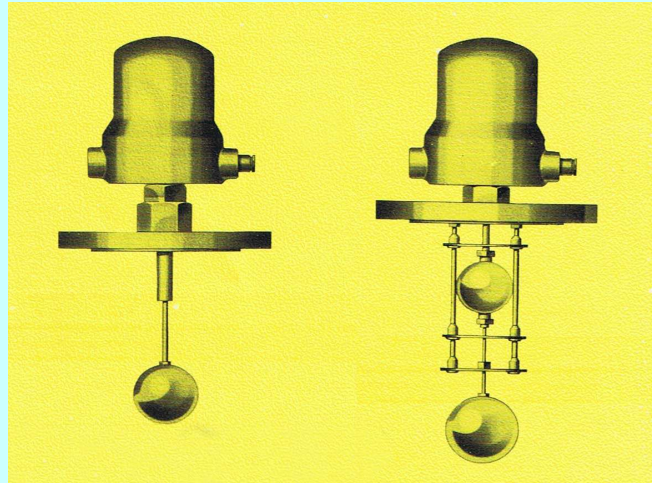




Top Mounted Float Types

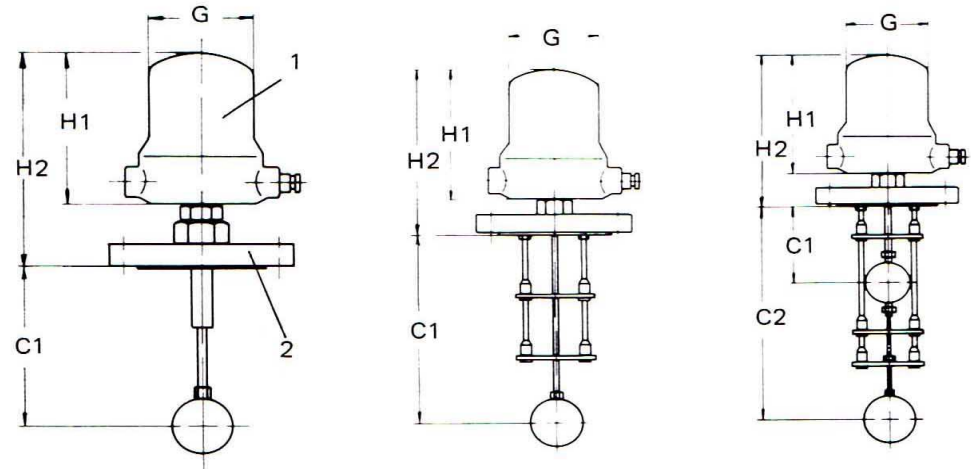


Outline Dimensional Drawings

T22 & T22F

T23F

T23F-TDM



Standard Design :

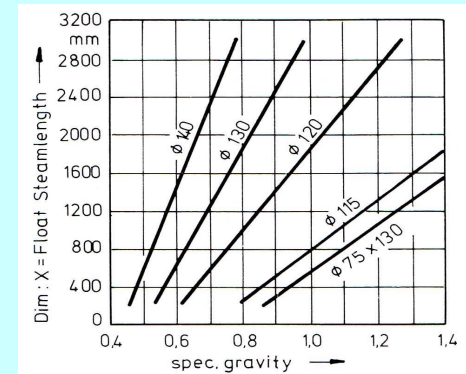
Model No.		T22	T22F	T23F	T23F-TDM			
Connection Flange	Material	Carbon Steel						
	Size DN	Threaded	100	4"	150	6"	150	6"
	Rating PN	R1" or 1"NPT	16	150#	16	150#	16	150#
Flanges acc. to		xxx	DIN	ASA	DIN	ASA	DIN	ASA
Float Size (mm diam.)		75 x 130 or Dia. 90		110		2 x 110		
min. Spec. Gravity		refer to Diagram						
Float / Float Stem Material		V4A-SS, Mtl. No. 1.4571 / SS316Ti						
Switch Housing		Cast Aluminium, IP55 acc. to DIN 40050						
Conduit Connection		PG16 DIN 46255 (Thread)						
Switch Mechanism	Type	Mercury Type Q1 - SPDT						
	Qty.	1	1	1	1	2		
Switch Differential		min. 20 mm, max. 60 mm - adjustable (internal)						
Switch Action :		On-Off within Differential					HLA / LLA	
Number of Set Points		1	1	1	1	2		

Optional :

Connection Flange	Material	SS or other Mtl. upon request			
	Size/Rating	as per requirements			
Float / Float Stem Material		as per requirements			
Enclosure		for Ex-Proof, please ask			
Conduit Connection		as per requirements			
Cooling Fin Extension		applicable on service temp. > 300°C			
Switches : refer to Data-Sheet		Mercury : C1.1	Micro : C2.1	Proximity	Pneumatic

- 1) Switch Housings shown are standard IP55.
- 2) Flange : standard or acc. to specifications.

Float size depends on float stem lengths and spec. gravity of fluid.



Model No.	Float Size	C1 min.	C2 min.	G	H1	H2
T22F	see Table	200	x	130	200	240
T23F		260	x	130	200	240
T23F-TDM		260	500	130	250	290

Remark : Float Size is usually the limiting factor for pressure & temperature ratings