

Standard Design :

Model No.	612TDM	613TDM	614TDM	
Float Chamber Material	Carbon Steel, flanged body			
Rated, ... bar at 120°C	40	40	40*	
Body Connections	1" female pipe thread or 1" NPT(F)			
Flanged Connections VF- or HF-Style	Size: DN	25 1"	25 1"	25 1"
	Rating: PN	40 300#	40 300#	40 300#
Flanges acc. to	DIN	ASA	DIN	ASA
Drain Connection	1" female pipe thread or 1" NPT(F) with Plug			
2 Floats, Size (mm diam.)	120	130	140*	
min. Spec. Gravity	0,70	0,60	0,50	
Float / Float Stem Material	V4A-SS, Mtl. No. 1.4571 / SS316Ti			
Switch Housing	Cast Aluminium, IP55 acc. to DIN 40050			
Conduit Connection	PG16 DIN 46255 (Thread)			
Switch Mechanism	2 ea. Mercury Type Q1 - SPDT for HLA + LLA			
Switch Differential	separate for HLA & LLA : min. 25 mm, max. 60 mm **			

* max. Test Pressure for Float 140 mm : 35 Bar

** adjustable (internal)

Optional :

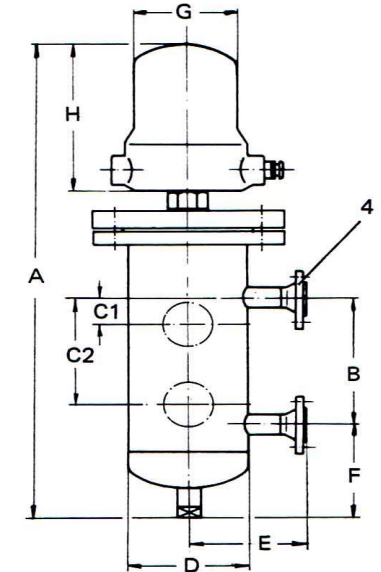
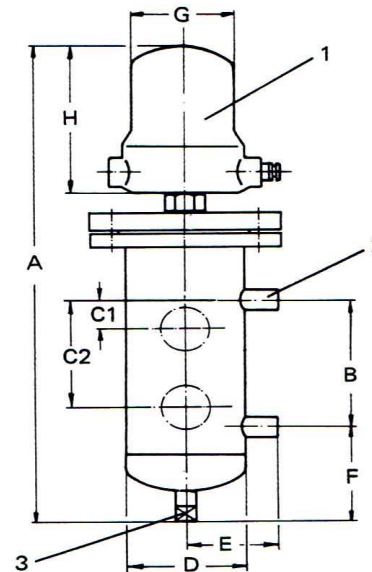
Float Chamber Material	SS or other Mtl. upon request			
Connection Flanges	flange facing acc. DIN or ASA standards (or requirements)			
Drain / Vent connection	as per requirements, flanged or pipe thread.			
Float / Float Stem Material	as per requirements			
Enclosure	for Ex-Proof, please ask			
Conduit Connection	as per requirements			
Cooling Fin Extension	applicable on service temp. > 300°C			
Switches : refer to Data-Sheet	Mercury : C1.1	Micro : C2.1	Proximity	Pneumatic

copyright Prematec GmbH & Prematec SàRL

Outline Dimensional Drawings

612TDM thru 614TDM

612HFS-TDM thru 614HFS-TDM



- 1) Switch Housings shown are standard IP55.
- 2) 1" pipe thread or 1" NPT(F)
- 3) Flange : standard or acc. to specifications.
- 4) Drain : 1/2" pipe thread or 1/2" NPT(F) plugged

Model No.	Style	A	B	C1/C2	D	E	F	G	H
612TDM	/.	1020	500	50	139	95	170	130	250
613TDM, 614TDM				450	168	105			
612TDM	HFS	1020	500	50	139	195	170	130	250
613TDM, 614TDM				450	168	205			