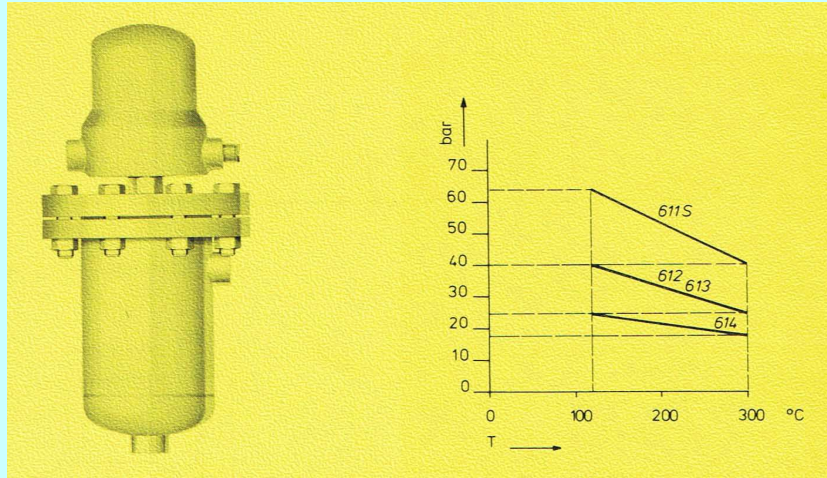




External Cage Float Type

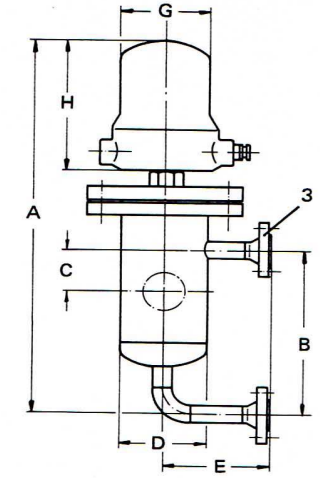
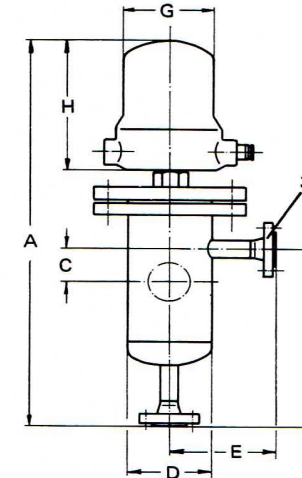
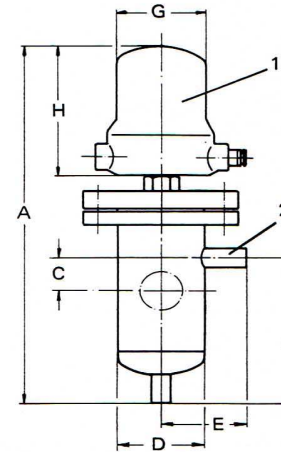


Outline Dimensional Drawings

611S thru 614

611SVF thru 614VF

611SHF thru 614HF



- 1) Switch Housings shown are standard IP55.
- 2) 1" pipe thread or 1" NPT(F)
- 3) Flange : standard or acc. to specifications.

Dim. C : LL, switch actuation at level decrease.

: HL, switch actuation at level increase ~ 50 mm above LL.

Variation : +/- 10 mm depending on spec. gravity.

Standard Design :

Model No.	611S		612		613		614		
Float Chamber Material	Carbon Steel, flanged body								
Rated, ... bar at 120°C	64 **		40		40		40*		
Body Connections	1" female pipe thread or 1" NPT(F)								
Flanged Connections VF- or HF-Style	Size: DN	25	1"	25	1"	25	1"	25	1"
	Rating: PN	64	600#	40	300#	40	300#	40	300#
Flanges acc. to	DIN	ASA	DIN	ASA	DIN	ASA	DIN	ASA	
Float Size (mm diam.)	115		120		130		140*		
min. Spec. Gravity	0,90		0,65		0,60		0,50		
Float / Float Stem Material	V4A-SS, Mtl. No. 1.4571 / SS316Ti								
Switch Housing	Cast Aluminium, IP55 acc. to DIN 40050								
Conduit Connection	PG16 DIN 46255 (Thread)								
Switch Mechanism	Mercury Type Q1 - SPDT								
Switch Differential	min. 20 mm, max. 80 mm - adjustable (internal)								

* max. Test Pressure for Float 140 mm : 35 Bar ** German Pressure Vessel Code Regulations require TÜV-Inspection

Optional :

Float Chamber Material	SS or other Mtl. upon request			
Connection Flanges	flange facing acc. DIN or ASA standards (or requirements)			
Drain / Vent connection	as per requirements, flanged or pipe thread.			
Float / Float Stem Material	as per requirements			
Enclosure	for Ex-Proof, please ask			
Conduit Connection	as per requirements			
Cooling Fin Extension	applicable on service temp. > 300°C			
Switches : refer to Data-Sheet	Mercury : C1.1	Micro : C2.1	Proximity	Pneumatic

Model No.	Style	A	B	C	D	E	F	G	H
611S, 612	.	615	250	110	139	95	x	130	200
613,614					168	105			
611S, 612	HF	685	310	110	139	195	x	130	200
613,614					168	205			
611S, 612	VF	685	310	110	139	195	x	130	200
613,614					168	205			