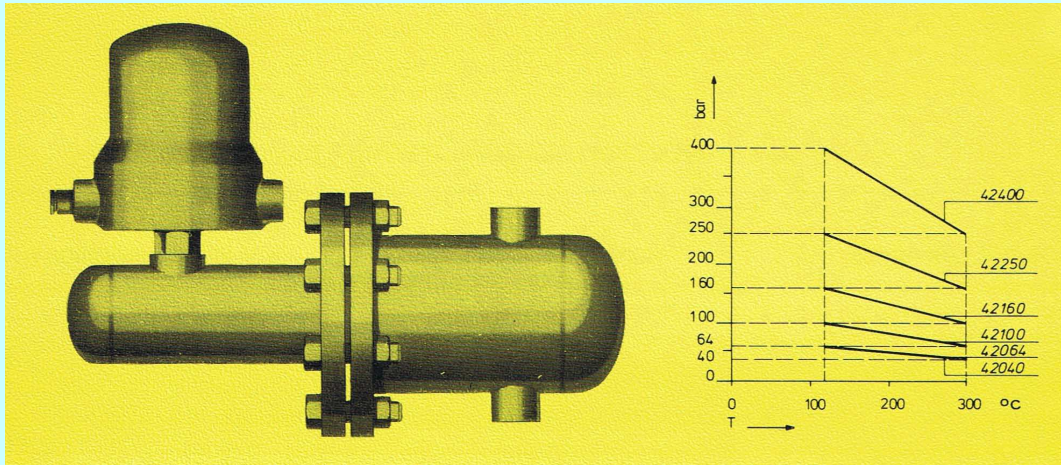


# PREMATROL Liquid Level Switch

42000 Series

High Pressure Units

Outline Dimensional Drawings



**Standard Design :**

Model No.	42040		42064		42100		42160		42250		
Float Chamber Material	Carbon Steel, flanged body										
Rated, ... bar at 120°C	40		64**		100**		160**		250**		
Body Connections	1" female pipe thread or 1" NPT(F)										
Flanged Connections VF- or HF-Style	Size: DN	25	1"	25	1"	25	1"	25	1"	100	4"
	Rating: PN	40	300#	64	600#	100	600#	160	900#	250	1500#
Flanges acc. to	DIN	ASA	DIN	ASA	DIN	ASA	DIN	ASA	DIN	ASA	
Float Size (mm diam.)	75		75		75		75		75		
min. Spec. Gravity	0,50		0,50		0,50		0,60		0,6		
Float / Float Stem Material	V4A-SS, Mtl. No. 1.4571 / SS316Ti										
Switch Housing	Cast Aluminium, IP55 acc. to DIN 40050										
Conduit Connection	PG16 DIN 46255 (Thread)										
Switch Mechanism	Mercury Type Q1 - SPDT										
Switch Differential	min. 20 mm, max. 40 mm - adjustable (internal)										

\*\* German Pressure Vessel Code Regulations require TÜV-Inspection

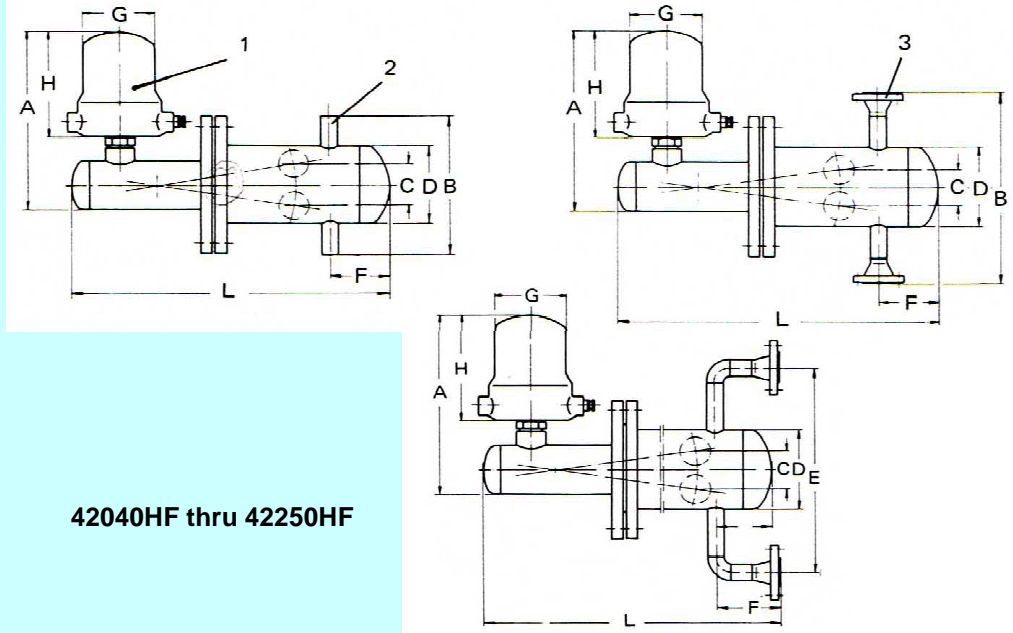
**Optional :**

Float Chamber Material	SS or other Mtl. upon request			
Connection Flanges	flange facing acc. DIN or ASA standards (or requirements)			
Drain / Vent connection	as per requirements, flanged or pipe thread.			
Float / Float Stem Material	as per requirements			
Enclosure	for Ex-Proof, please ask			
Conduit Connection	as per requirements			
Cooling Fin Extension	applicable on service temp. > 300°C			
Switches : refer to Data-Sheet	Mercury : C1.1	Micro : C2.1	Proximity	Pneumatic

copyright Prematec GmbH & Prematec SàRL

42040 thru 42250

42040VF thru 42250VF



42040HF thru 42250HF

- 1) Switch Housings shown are standard IP55.
- 2) 1" pipe thread or 1" NPT(F)
- 3) Flange : standard or acc. to specifications.

Model No.	Style	A	B	C max.	D	E	G	H	L
42040 thru 42100	x	330	220	50	159	x	130	200	540
42160	x	340	230		168	x			550
42250	x	350	240		178	x			580
42040 thru 42100	HF	330	300	50	159	x	130	200	560
42160		340	310		168	x			570
42250		350	320		178	x			600
42040 thru 42100	VF	330	315	50	159	x	130	200	540
42160		340	335		168	x			550
42250		350	360		178	x			580

Prematec

Ü&@c} @{| , ^\* Ái MÖE é GJÁ@a) ~!óé Á aä  
 V|ÉI JÁEDÍ HÁ JÁFFÁI ÁÁÁ { @ ]!{ æ&È´