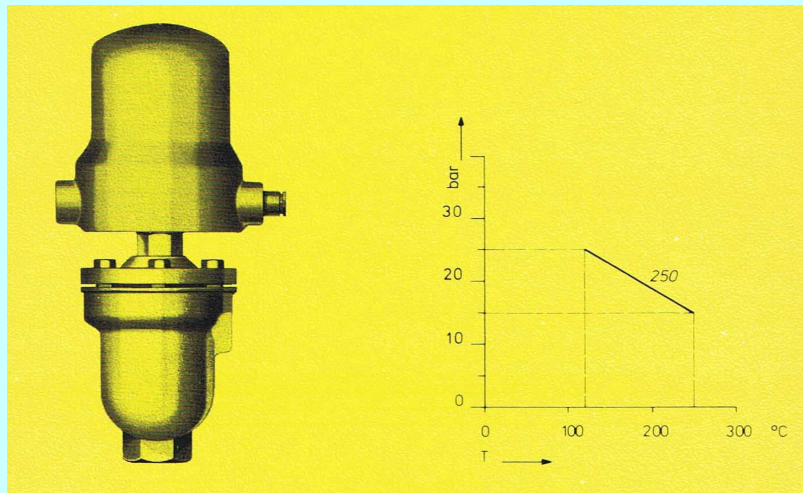
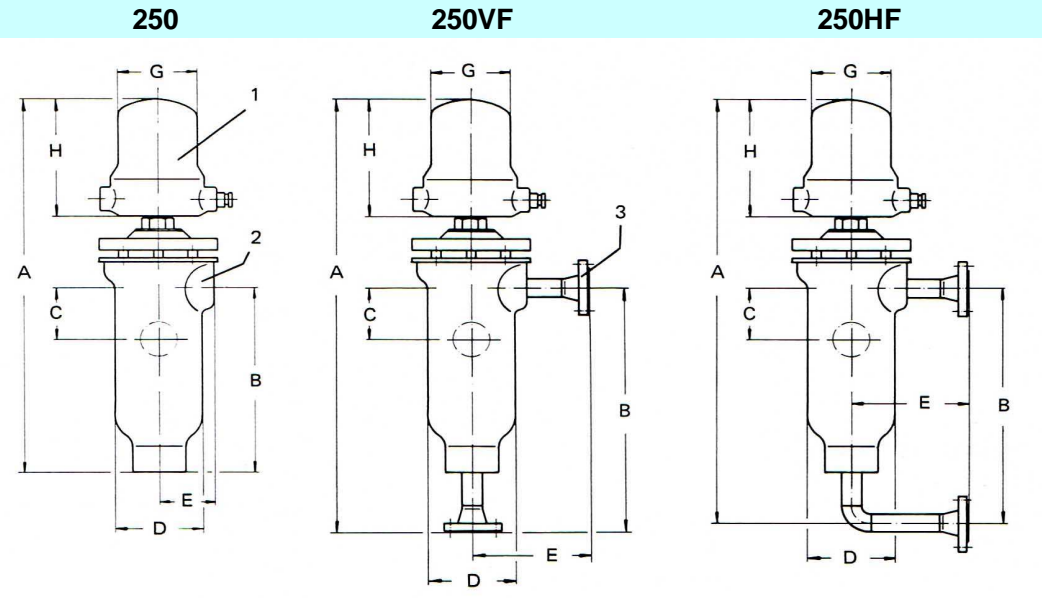




External Cage Float Type



Outline Dimensional Drawings



Standard Design :

Model No.	250		250HF		250VF		
Float Chamber Material	Cast Steel						
Rated, ... bar at 120°C	25		25		25		
Body Connections	1" female pipe thread or 1" NPT(F)						
Flanged Connections VF- or HF-Style	Size: DN	x	x	25	1"	25	1"
	Rating: PN	x	x	25	150#	25	150#
Flanges acc. to	x	x	DIN	ASA	DIN	ASA	
Float Size (mm diam.)	75		75		75		
min. Spec. Gravity	0,90		0,90		0,90		
Switch Housing	Cast Aluminium, IP55 acc. to DIN 40050						
Conduit Connection	PG16 DIN 46255 (Thread)						
Switch Mechanism	Mercury Type Q1 - SPDT						
Switch Differential	min. 20 mm, max. 40 mm - adjustable (internal)						

- 1) Switch Housings shown are standard IP55.
- 2) 1" pipe thread or 1" NPT(F)
- 3) Flange : standard or acc. to specifications.

Dim. C : LL, switch actuation at level decrease.

: HL, switch actuation at level increase ~ 50 mm above LL.

Variation : +/- 10 mm depending on spec. gravity.

Optional :

Float Chamber Material	standard material only			
Connection Flanges	flange facing acc. DIN or ASA standards (or requirements)			
Drain / Vent connection	as per requirements			
Enclosure	for Ex-Proof, please ask			
Conduit Connection	as per requirements			
Switches : refer to Data-Sheet	Mercury : C1.1	Micro : C2.1	Proximity	Pneumatic

Model No.	Style	A	B	C	D	E	F	G	H
250	.	410	140	40	110	73			
250	HF	550	280	40	110	165		130	200
250	VF	550	280	40	110	165			